

# ULCF3000 Range



**ULCF3000 / ULCF3000RM - Intelligent Addressable Control Panels**

## Overview

The Cooper ULCF3000 is a high specification intelligent addressable, wall or rack mounted, UL Listed control panel available in various loop configurations. It combines sophisticated functionality with simple operation and aesthetically pleasing design.

The control panel has the ability to support complex cause and effect programming and a wide range of user controllable functions that make the panel ideal for a diverse range of projects from industrial applications through to large multi site commercial developments.

The ULCF3000 uses soft addressing to minimise installation time and remove the potential for error associated with manual addressing. It can operate as a stand alone panel or as part of a networked system, and has powerful programming options that allow configurable control over whether messages from specific panels are transmitted around the network or remain local.

Each of the system components have been specifically designed to operate as part of a ULCF3000 UL Listed system providing assurance that the panel, detectors, interfaces and the ancillaries are all fully compatible with each other and that the full range of system functionality is supported by each device.

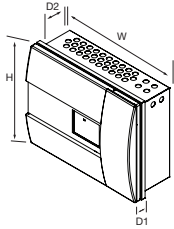
## Features

- Large versatile touch-screen user interface
- 2 or 4 Class A Style 7 SLC loops
- Event history buffer (9,999 events) with date/time stamp
- 4 Notification appliance circuit (NAC's) outputs
- Dedicated alarm, trouble, AC trouble relays
- Integral short circuit isolators
- Up to 200 addresses per loop
- Full network capability up to 126 panels

## Benefits

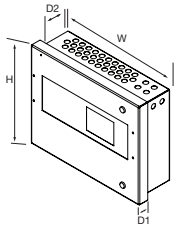
- Supports a comprehensive range of soft addressing modules and devices for greater flexibility in design
- Menu driven graphical user interface for ease of operation
- Reduced commissioning time through soft addressing and auto learn functions
- Programming and trouble shooting time minimised by using a range of features such as auto config, walk test, system details menu's

### Dimensions - Plastic Front



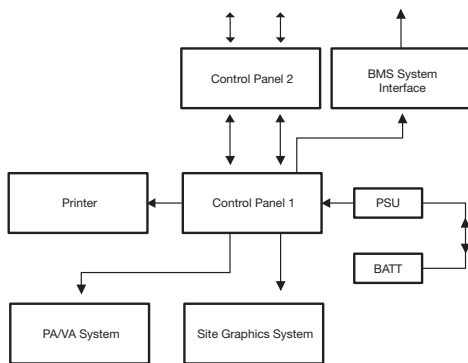
H (mm)	W (mm)	D1 (mm)	D2 (mm)
397	497	75	130

### Dimensions - Metal Front



H (mm)	W (mm)	D1 (mm)	D2 (mm)
398	505	48	118

### System Block Diagram



### Technical Specification

Code	ULCF3000 / ULCF3000RM
Description	UL Intelligent Addressable Control Panel
Standards	UL864 9th edition
Primary Operating Supply	120V ac/240V ac, 60Hz, 2.0A supervised
<b>Secondary Operating Supply</b>	
Battery Voltage	24V dc
Battery Charge Current	1.0A (max)
Battery Derating Factor	0.1
Battery Capacity Supervised	12Ah (max)
<b>Notification Appliance Circuits Class B, Style Y, Sounder Group 1, Sounder 1, Sounder Group 1, Sounder 2, Sounder Group 2</b>	
Output Voltage	24V dc
Output Current	0.75A (max)
Line Impedance	50Ω
	When powered by 240V ac, the maximum current of 3.0A is shared between these circuits
	When powered by 120V ac, the maximum current of 2.25A is shared between these circuits
	Supervised, power limited, regulated
<b>Notification Appliance Circuits Class B, Style Y, SYNC MODULE. NAC1, NAC2</b>	
Output Voltage	24V dc
Output Current	0.5A (max)
Line Impedance	50Ω (max)
	The maximum current of 0.5A is shared between these circuits
	Supervised, power limited, regulated
<b>Alarm, Trouble Contacts, Relay Expansion</b>	
Unity Power Factor	30V dc
	For connection to power limited sources only
<b>Aux Relay (AC Trouble) Contacts</b>	
Unity Power Factor	30V dc, 1A
	For connection to power limited sources only
<b>Signaling Line Circuit Style [7] Class [A] - (Addressable Loop)</b>	
Rated Voltage	24V dc
Maximum Current	500mA
Line Impedance	50Ω (max)
	Supervised, power limited
<b>Network SLC</b>	
Voltage	5V dc
Current	100mA (max)
Line Impedance	50Ω (max)
	Power limited
	Limited to same enclosure installations
<b>Compatibility</b>	
Suitable for use with	Cooper UL Fire Systems

### Product Codes

Code	Description
ULCF30002G	2 Loop Panel
ULCF30004G	4 Loop Panel
ULCF30002GP	2 Loop Panel, Integral Printer
ULCF30004GP	4 Loop Panel, Integral Printer
ULCF30002GNC	2 Loop Panel, Network Card
ULCF30004GNC	4 Loop Panel, Network Card
ULCF30002GPNC	2 Loop Panel, Integral Printer, Network Card
ULCF30004GPNC	4 Loop Panel, Integral Printer, Network Card
ULCF30002GRM	2 Loop Panel, Red Metal Box
ULCF30004GRM	4 Loop Panel, Red Metal Box
ULCF30002GPRM	2 Loop Panel, Integral Printer, Red Metal Box
ULCF30004GPRM	4 Loop Panel, Integral Printer, Red Metal Box
ULCF30002GNCRM	2 Loop Panel, Network Card, Red Metal Box
ULCF30004GNCRM	4 Loop Panel, Network Card, Red Metal Box
ULCF30002GPNCRM	2 Loop Panel, Integral Printer, Network Card, Red Metal Box
ULCF30004GPNCRM	4 Loop Panel, Integral Printer, Network Card, Red Metal Box